

T45v hand torch parts

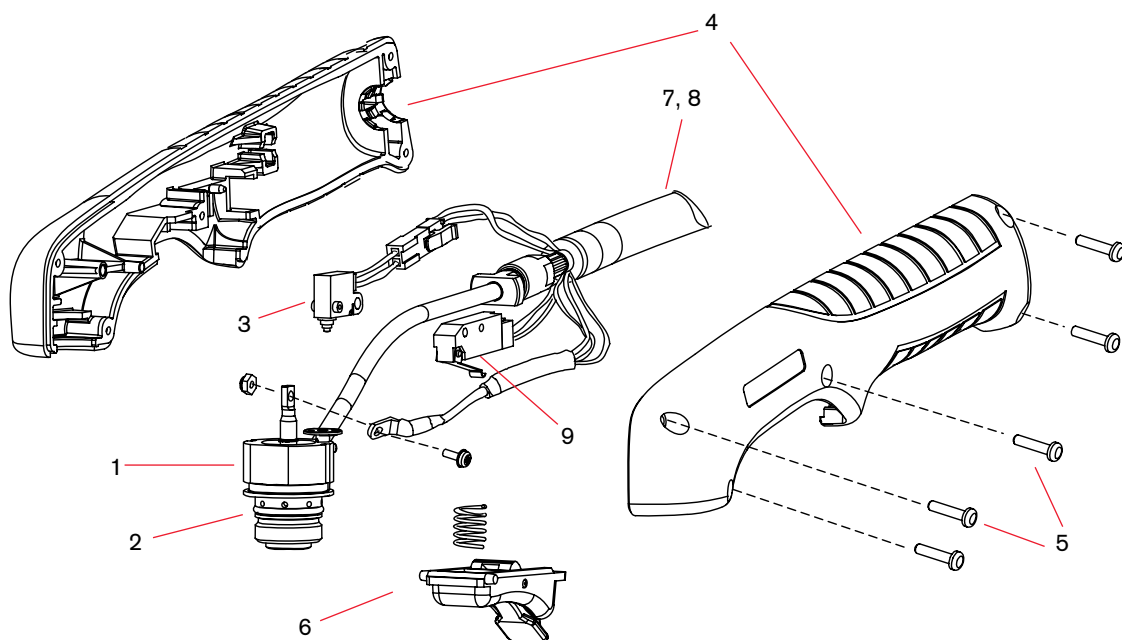
For use with the Powermax45®



T45v hand torch parts

| Item | Kit/Part number | Description |
|------|---------------------|--|
| | 088008 ¹ | T45v hand torch assembly with 6.1 m (20') leads |
| | 088009 ¹ | T45v hand torch assembly with 15.2 m (50') leads |
| 1 | 228346 | Kit: Torch body replacement |
| 2 | 058503 | O-ring: torch body |
| 3 | 228109 | Kit: Cap-sensor switch replacement |
| 4 | 228313 | Kit: handle |
| 5 | 075714 | Handle screws |
| 6 | 002244 | Safety trigger assembly |
| 7 | 228315 | Kit: Torch lead replacement, 6.1 m (20') |
| 8 | 228316 | Kit: Torch lead replacement, 15.2 m (50') |
| | 228300 | Work lead with clamp, 6.1 m (20') |
| | 228307 | Work lead with clamp, 15.2 m (50') |
| 9 | 128642 | Kit: T45v/T30v start switch replacement |

¹Assembly includes consumables.



See pages 64-65 for current system part number information.