

VacuFil 125i

Art. No.: 82 400



Technical Data

Filter	
Filter stages	2
Filter method	Cleanable filter
Filter cleaning method	Rotating nozzle
Filter surface	4 m ²
Type of filter	Filter cartridge
Filter material	ePTFE membrane
Filter efficiency	> 99,9 %
Dust classification	M
Basic data	
Extraction capacity	125 m ³ /h
Dimensions (w x h x t)	635 x 885 x 1160 mm
Weight	130 kg
Motor power	1.5 kW
Power supply	1 x 230 V / 50 Hz
Rated current	13 A
Noise level	66 dB(A)
Additional information	
IFA-Certification	W3-Approved
Fan type	Side channel blower
Compressed air supply	5 - 6 bar
Hose connection	Ø 45 mm
Air outlet	63 mm

Applications

- High levels of smoke and particles
- Non-stop operation
- Torch extraction

Benefits

- Best health protection for employees by use of KemTex® ePTFE filter cartridges with surface filtration
- Comfortable flue gas extraction torch selection via touch display with automatic volume flow adjustment
- Uninterrupted continuous operation due to automatically controlled filter cleaning
- Fleet management, remote maintenance and pre-noise maintenance using autarkic networking via mobile radio to the KEMPER cloud*

Properties

- Automatic filter cleaning, pressure-controlled
- Side channel blower
- KemTex® ePTFE filter cartridge
- KEMPER-Cloud connection via mobile network*
- Contamination -free dust disposal in one-way containers.
- Control via touch panel

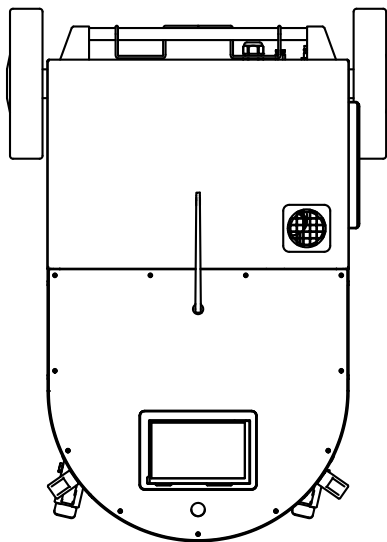
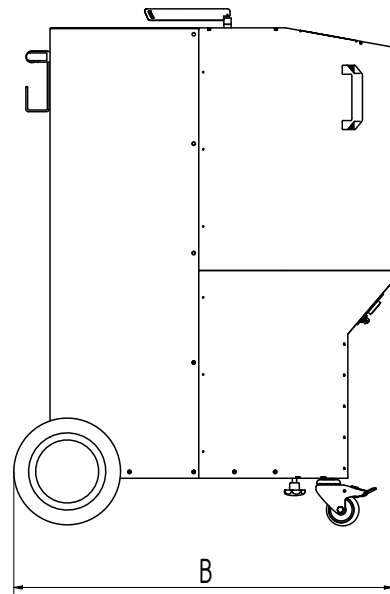
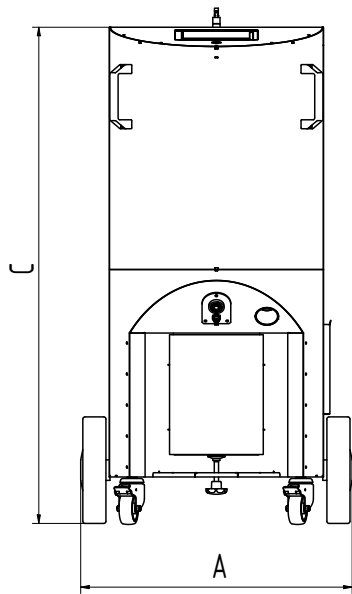
Accessories

- Automatic start/stop
- Suction hose
- Slot and funnel nozzle
- Connector for welding torches
- KEMPER-Connect Cloud



Suitable for alveole exchangeable dusts
separation > 99 % of particles < 0,4 µm





Technical Data

Dimensions

A	635 mm
B	885 mm
C	1160 mm