

# VacuFil 250

Art. No.: 82 421



## Technical Data

Filter	
Filter stages	2
Filter method	Cleanable filter
Filter cleaning method	Rotating nozzle
Filter surface	4 m <sup>2</sup>
Type of filter	Filter cartridge
Filter material	ePTFE membrane
Filter efficiency	> 99,9 %
Dust classification	M
Basic data	
Extraction capacity	250 m <sup>3</sup> /h
Dimensions (w x h x t)	635 x 885 x 1160 mm
Weight	140 kg
Motor power	2.2 kW
Power supply	3 x 400 V / 50 Hz
Rated current	8.6 A
Noise level	66 dB(A)
Additional information	
Fan type	Side channel blower
Compressed air supply	5 - 6 bar
2 x Hose connection	2 x Ø 45 mm
Air outlet	63 mm

## Applications

- High levels of smoke and particles
- Non-stop operation
- Torch extraction

## Benefits

- Best health protection for employees by use of KemTex® ePTFE filter cartridges with surface filtration
- Stepless speed preselection of the side channel compressors
- Uninterrupted continuous operation due to automatically controlled filter cleaning

## Properties

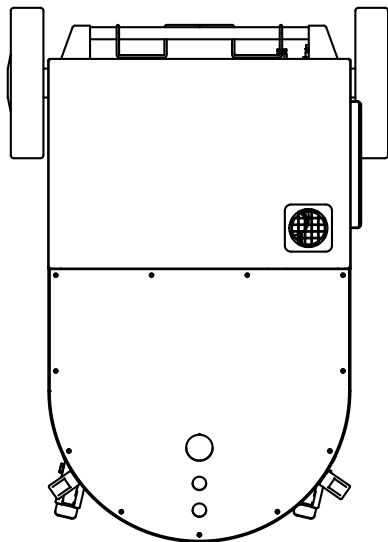
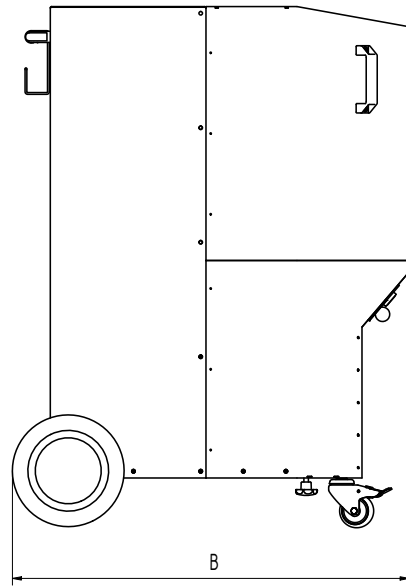
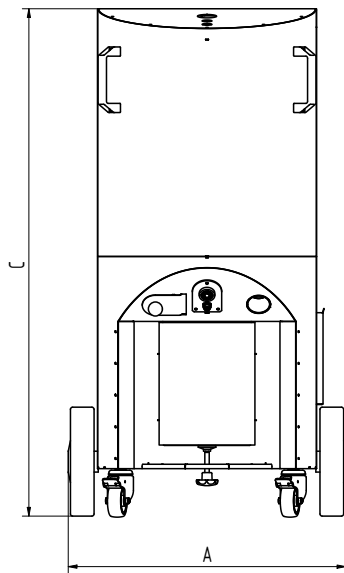
- Automatic filter cleaning, pressure-controlled
- Side channel blower
- KemTex® ePTFE filter cartridge
- Speed control via potentiometer
- Contamination -free dust disposal in one-way containers.

## Accessories

- two connection sockets for welding torches
- Automatic start/stop
- Suction hose
- Slot and funnel nozzle



Suitable for alveolar exchangeable dusts  
separation > 99 % of particles < 0,4 µm



## Technical Data

### Dimensions

A	635 mm
B	885 mm
C	1160 mm