

Spare Part List LightWELD System

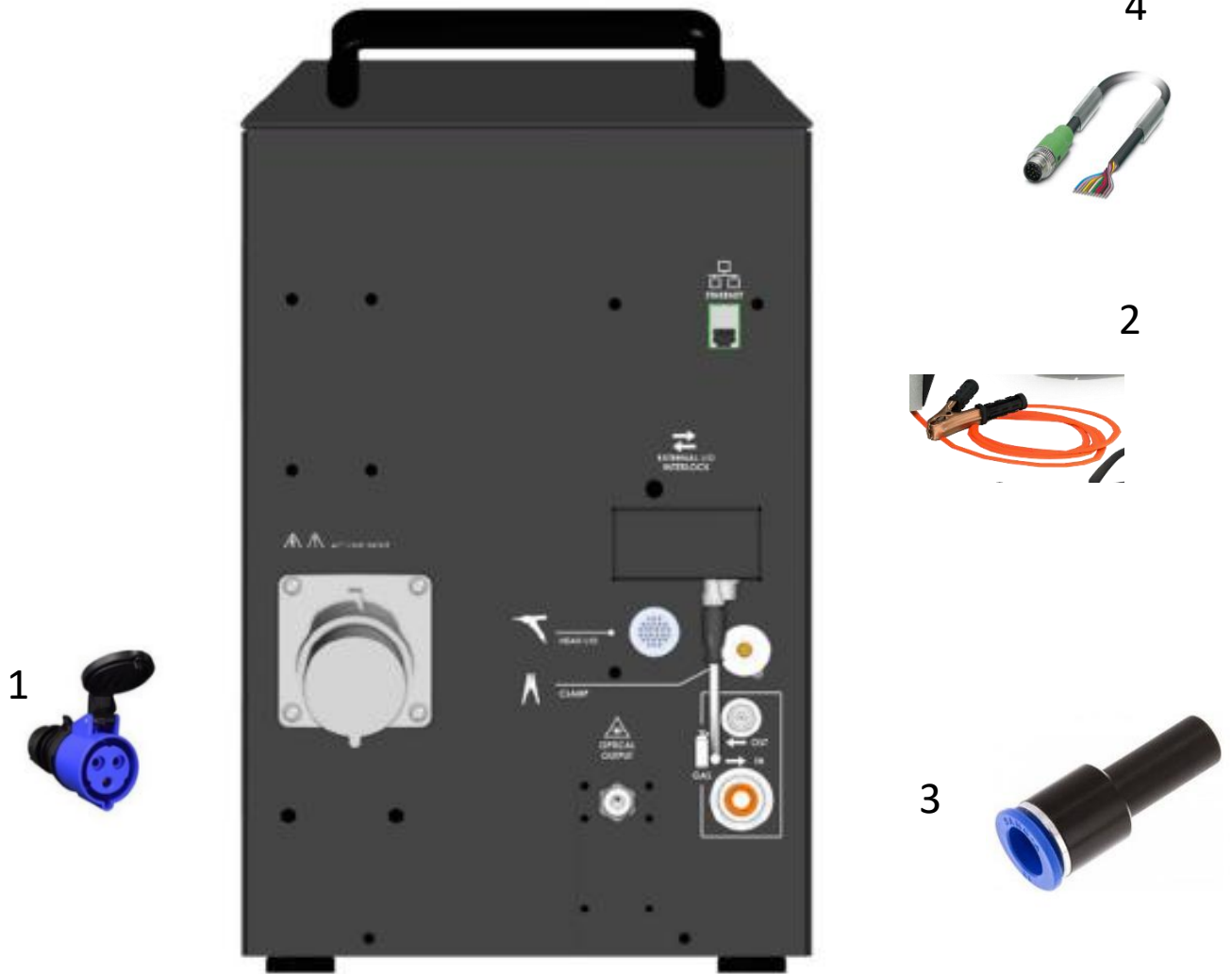


Front View



Pos.	IPG-Nr.	Art.-Nr.	Description	Info
1	CEMCACCXXX0016XX		Key IDEC Typ 500	2 pieces

Back View



Pos.	IPG-Nr.	Art.-Nr.	Description	Info
1	CECOXXX0000206PX	CECOXXX0000206PX	CONNECTOR, 30A 2P3W IP44 6H	
2	CEU00002583XXXXU	CEU00002583XXXXU	Cable Assy, Work Piece Clip, 10m	
3	CMMISX0000064XX	CMMISX0000064XX	Reducing nipple 1/2"	
4	CEKBXXX0000584PX	1554791	SAC-12P-MS	

Welding Gun



1



2



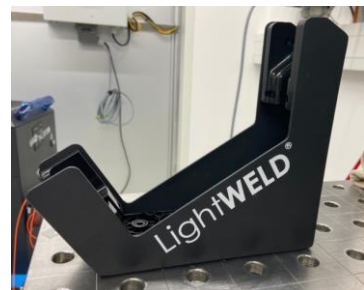
3



4&5



6



Pos.	IPG-Nr.	Art.-Nr.	Description	Info
1	CDHOX041CQCXXXGU	CDHOX041CQCXXXU	CALIBRATED HEAD, LIGHTWELD 2.0, 40/120, HLC-8	
2	CDHCX041CQCXXXGU	CDHCX041CQCXXXU	CALIBRATED HEAD, LIGHTWELD XC, 40/120, HLC-8	
3	CDHRX051CQCXXXGU	CDHRX051CQCXXXU	CALIBRATED HEAD, LightWELD XR, 50/120, HLC-8	
4,5	CEU00002584XXXXU	CEU00002584XXXXU	Cable Assy, Welder Umbilical, 10m	
6	CEU00004070XXXXU	CEU00004070XXXXU	Holder	

Nozzle extension

1



2



3



4

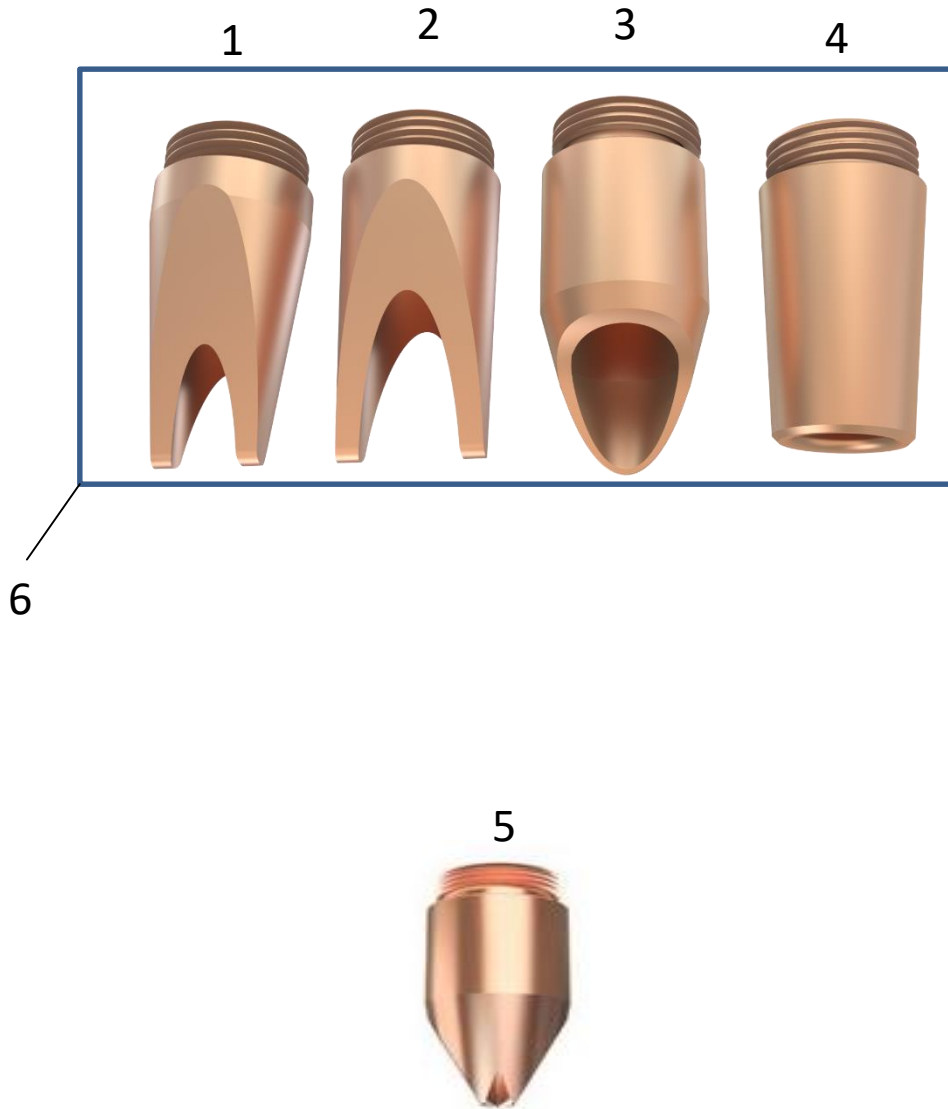


5



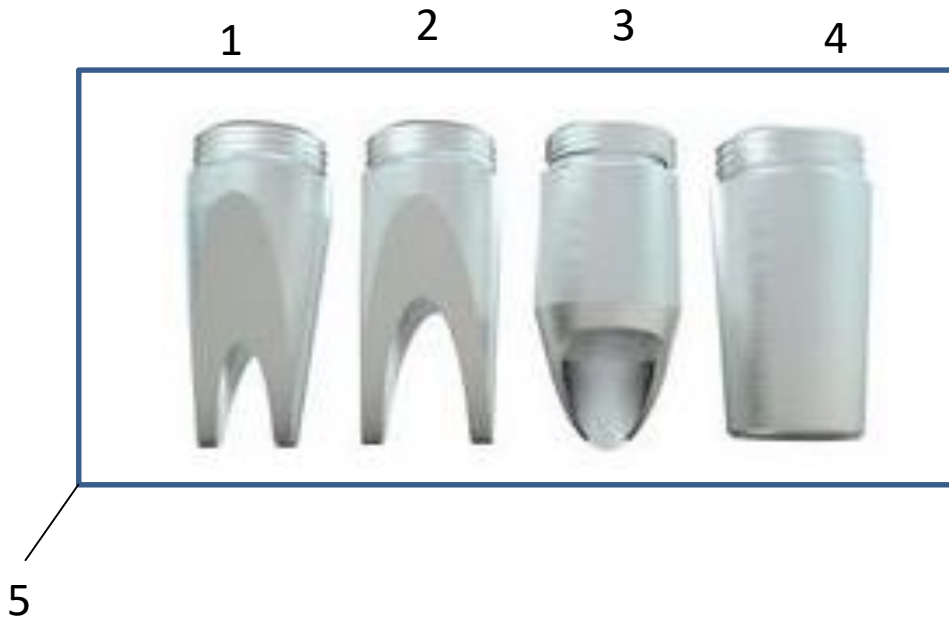
Pos.	IPG-Nr.	Art.-Nr.	Description	Info
1	CMUS0008259XXXXU		HH NOZZLE EXTENSION, 58MM	
2	CMUS0010359XXXXU		HW NOZZLE EXTENSION, 7MM	
3	CMUS0008377XXXXU		HW Nozzle Extension, 10mm	
4	CMMIXXX0002569PX		CAP, VINYL, ROUND, FOR .50 OD X 1 HIGH, RED	
5	CDSBME000103XXXU		Collet Assembly, LightWELD	

Copper nozzles



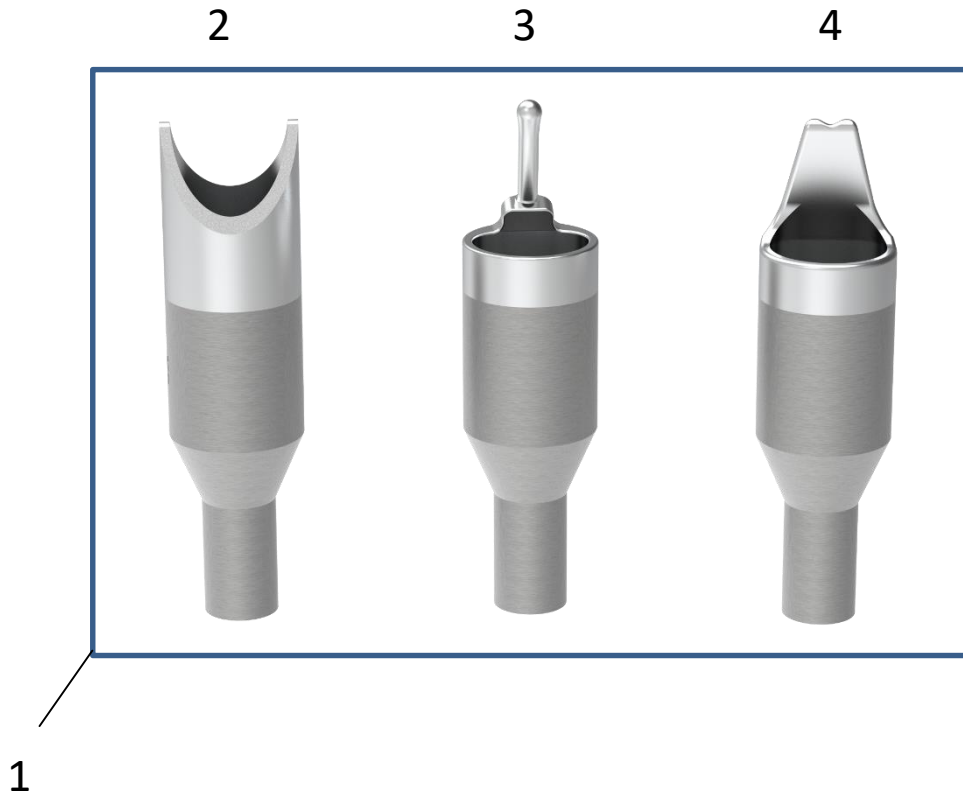
Pos.	IPG-Nr.	Art.-Nr.	Description	Info
1	CMUS0008411XXXXU		Nozzle Tip, 2 point, 6mm, Cu	
2	CMUS0008719XXXXU		Nozzle Tip, 2 point, 9mm, Cu	
3	CMUS0008398XXXXU		Nozzle Tip, 1 point, Cu	
4	CMUS0008794100XU		Nozzle Tip, Cone , HW,Cu	
5	CMUS0011276001XU		Nozzle Tip, 1 point, Wire Feed, V2	
6	CDSBME000089XXXXU		COPPER NOZZLE ACCESSORY KIT, LightWELD	

Aluminum nozzle



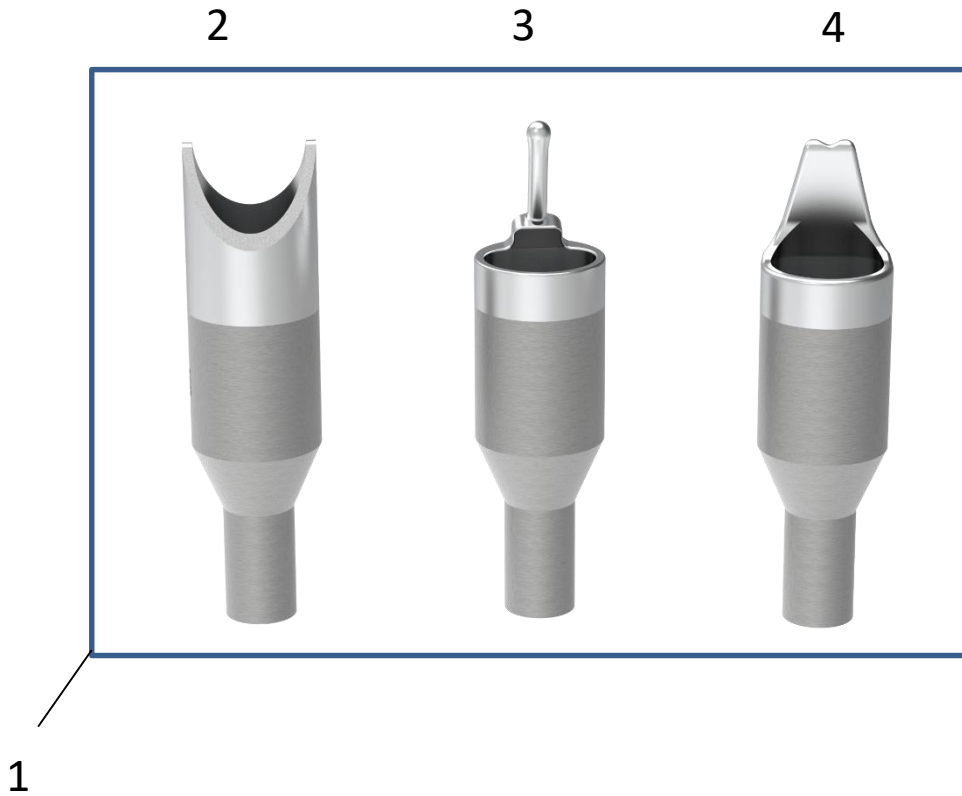
Pos.	IPG-Nr.	Art.-Nr.	Description	Info
1	CMUS0009401XXXXU		NOZZLE TIP, 2 POINT, 6MM, AI 1100	
2	CMUS0009400XXXXU		NOZZLE TIP, 2 POINT, 9MM, AI 1100	
3	CMUS0009402XXXXU		NOZZLE TIP, 1 POINT, AI 1100	
4	CMUS0009399XXXXU		NOZZLE TIP, CONE, HW, AI 1100	
5	CDSBME00008901XU		ALUMIMUM NOZZLE ACCESSORY KIT, LightWELD	

Cleaning nozzle



Pos.	IPG-Nr.	Art.-Nr.	Description	Info
1	CEU00003724XXXXU		KIT, CLEANING NOZZLE, LightWELD XC	
2	CMUS0010429XXXXU		NOZZLE ASSY, CLEANING, 2 PRONG, LightWELD XC	
3	CEU00003708XXXXU		NOZZLE, ASSY, 1 PRONG, LIGHTWELD XC	
4	CEU00003803XXXXU		NOZZLE, ASSY, OUTER CORNER, LIGHTWELD XC	

Nozzle XR Version



Pos.	IPG-Nr.	Art.-Nr.	Description	Info
1	CEU00004105XXXXU		KIT, CLEANING NOZZLE, LightWELD XR	
2	CEU00003909XRXXU		NOZZLE ASSY, CLEANING, 2 PRONG, LightWELD XR	
3	CEU00003708XRXXU		NOZZLE, ASSY, 1 PRONG, LIGHTWELD XR	
4	CEU00003803XRXXU		NOZZLE, ASSY, OUTER CORNER, LIGHTWELD XR	

Protection glas



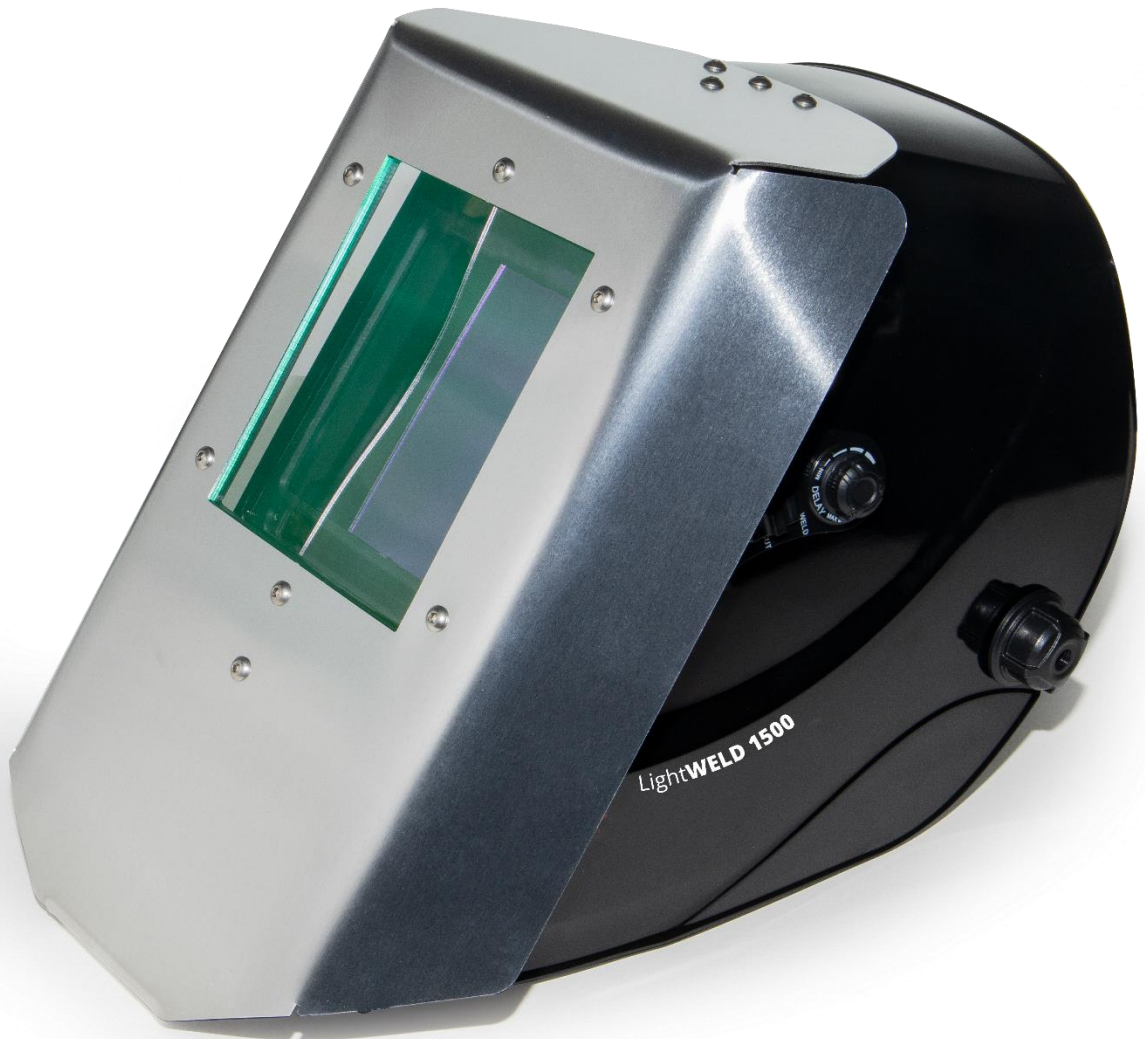
Pos.	IPG-Nr.	Art.-Nr.	Description	Info
1	CDSBOM00023703XU		WINDOW, 5 PACK, LightWELD	
3	CDSBOM00023702XU		WINDOW, 20 PACK, LightWELD	

Accessories



Pos.	IPG-Nr.	Art.-Nr.	Description	Info
1	CMMIXXX0004362PX	CMMIXXX0004362PX	CART ASSY, HEAVY DUTY,LightWELD	

Accessories



Pos.	IPG-Nr.	Art.-Nr.	Description	Info
1	CEU00005245XXXXU	CEU00005245XXXXU	ASSY, WELD HELMET, M800HP, IR COATED GLASS	

Glasses



1



2



3



Pos.	IPG-Nr.	Art.-Nr.	Description	Info
1	CMMIXXX0002677PX		LASER SAFETY GLASSES, KG5 HOMIUM/YAG/CO2, FITOVER	
2	CMMIXXX0002679PX		LASER SAFETY GLASSES, AKG-5 HOMIUM/YAG/CO2, ADJUST	
3	CMMIXXX0002678PX		LASER SAFETY GLASSES, KG5 LENS, WRAP AROUND	

IPG LASER GmbH.

Adapter for wire feeder

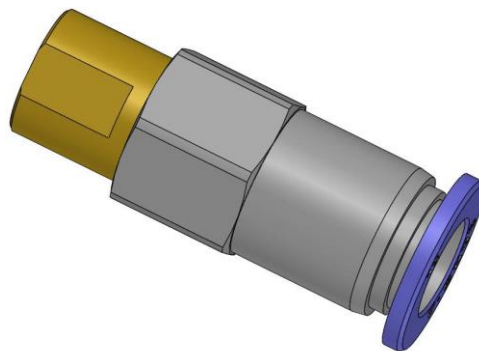
1



2

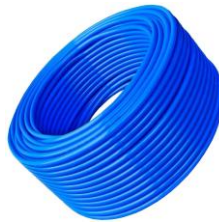
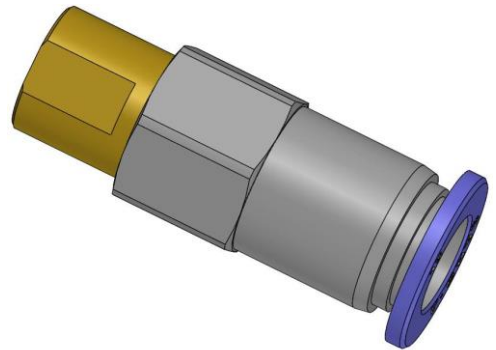


3



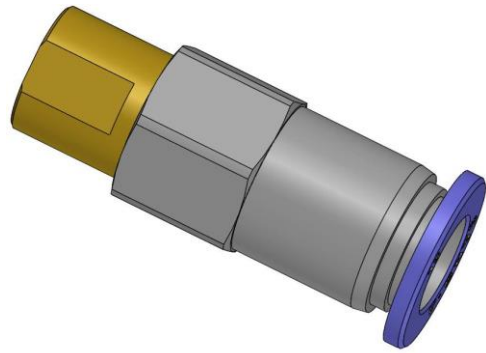
Pos.	IPG-Nr.	Art.-Nr.	Description	Info
1	CMUS0010223XXXXU		FITTING, ADAPTER,	
2	CMUS0010224XXXXU		CLAMP, NUT, WIRE FEEDER, LightWELD	
3	CM557811000000XG		Universal Adapter Wire Feeder	Bild 1 & 3

Set for Steel/Stainless Steel



Pos.	IPG-Nr.	Art.-Nr.	Description	Info
1	OPTLSSXXLWXXXSSG		Universal Adapter Set für Stahl/Edelstahl	

Set for Aluminum



Pos.	IPG-Nr.	Art.-Nr.	Description	Info
1	OPTLSSXXLWXXXALG		Universal Adapter Set für Aluminium	

Pressure Regulator



Pos.	IPG-Nr.	Art.-Nr.	Description	Info
1	CMRGXXX0000009PX		Bottle pressure regulator N2 K10 - 200 bar	
2	CMRGXXX0000010PX		Bottle pressure regulator N2 K10 - 300 bar	

LightWELD Wire Feeder



Pos.	IPG-Nr.	Art.-Nr.	Description	Info
1	OPTLSSXXLWXXXW1G		Wire Feeder incl. power cable	

Wire Feeder Accessories



Wire diameter and wire material must be notice if the order place

Pos.	IPG-Nr.	Description	Info
1	OPTLSSXXLWXXXD1G	Wire Feeder Set incl. Universaladapter für SS o. AL	5m liner
1	OPTLSSXXLWXXXD2G	Wire Feeder Set incl. Universaladapter für SS o. AL	10m liner

Wire Feeder Accessories Rolls



Pos.	IPG-Nr.	Description	Info
	CMMIXXX0005447PX	wire feed roller set	1,0/1,2 4x V-Nut St
	CMMIXXX0005448PX	wire feed roller set	1,0/1,2 4x U-Nut Al
	CMMIXXX0005449PX	wire feed roller set	0,8/1,0 4x V-Nut St
	CMMIXXX0005450PX	wire feed roller set	0,8/1,0 4x U-Nut Al
	CMMIXXX0005451PX	wire feed roller set	1,2/1,6 4x V-Nut St
	CMMIXXX0005452PX	wire feed roller set	1,2/1,6 4x U-Nut Al

Wire Feeder Accessories Liner



Pos.	IPG-Nr.	Description	Info
	CMMIXXX0005453PX	Liner coal PTFE 5m wire 1,0-1,2	
	CMMIXXX0005454PX	Liner coal PTFE 10m wire 1,0-1,2	
	CMMIXXX0005455PX	Liner coal PTFE 5m wire 1,4 – 1,6	
	CMMIXXX0005456PX	Liner coal PTFE 10m wire 1,4 – 1,6	

Wire Feeder Accessories

Contact tips



Pos.	IPG-Nr.	Description	Info
	CMMIXXX0002864PX	CONTACT TIP, WIRE FEEDER, 0.8MM, LIGHTWELD, 10PK	
	CMMIXXX0002648PX	CONTACT TIP, WIRE FEEDER, 0.9MM, LIGHTWELD, 10PK	
	CMMIXXX0002649PX	CONTACT TIP, WIRE FEEDER, 1.2MM, LIGHTWELD, 10PK	
	CMUS0010319XXXXU	CONTACT TIP, WIRE FEEDER, 1.6MM, LIGHTWELD, 10PK	

Microscope Set



Pos.	IPG-Nr.	Art.-Nr.	Description	Info
1	COLXXUX0000900XG		Microscope HLC-8/LCA	
2	CMMISCX0058200PX	KOD1546027	Tiffen Lens Tissue	
3	CMMISCX0058300XX	893223500	Isopropanol	
4	PGSMCHXX0000153X	ES1824E	Typhoon Blast Duster, 400ml	
5	PGSMMSW0001300X	100497 / TX759B	Micro Absorbond Swabs	

Contact

IPG Laser GmbH
Carl Benz Straße 28
57299 Burbach
Telefon: 02736/ 44 20-0
Telefax: 02736/ 44 20-8160
General Manager: Dr. Evgeny A. Scherbakov
Amtsgericht Siegen, HRB 4466; DE167880868

Lightweld Service and Spare Parts Germany:

Phone: +492736/ 44 20- 8217
E-mail: IPGL-LightWELD-Support@ipgphotonics.com

Sales Germany:

Phone: +492736/ 44 20-8340
E-mail: sales.europe@ipgphotonics.com

Application Germany:

Phone: +492736/ 44 20-8341
E-mail: mgrupp@ipgphotonics.com

Service Germany:

Phone: +492736/ 44 20- 8451
E-mail: support.europe@ipgphotonics.com

Customer Service USA

Phone: +1.508.373.1157
E-mail: support@ipgphotonics.com